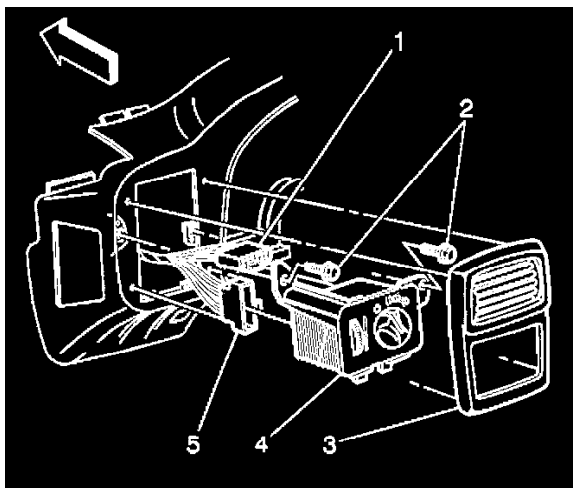


Headlamp Switch: Service and Repair



REMOVAL PROCEDURE

1. Remove the left hand instrument panel accessory trim plate (3).
2. Remove the headlamp switch bolts (2)
3. Disconnect the headlamp switch connector (1) from the headlamp switch (4).
4. Disconnect the dimmer switch connector (5) from the headlamp switch (4).

INSTALLATION PROCEDURE

1. Connect the dimmer switch connector (5) to the headlamp switch (4).
2. Connect the headlamp switch connector (1) to the headlamp switch (4).

NOTE: Refer to Fastener Notice in Cautions and Notices.

3. Install the headlamp switch bolts (2).

Tighten

Tighten the headlamp switch bolts (2) to **1.9 N.m (17 lb in)**.

4. Install the left hand instrument panel accessory trim plate (3).