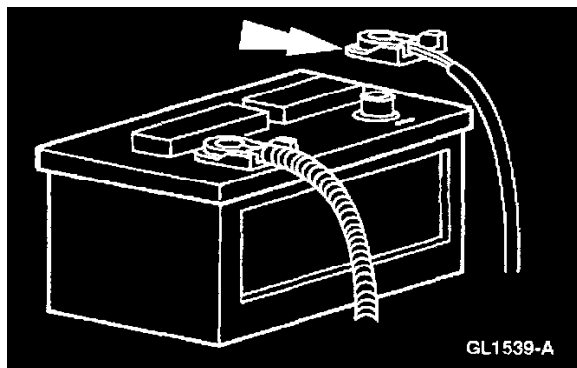


Front Door Panel: Service and Repair

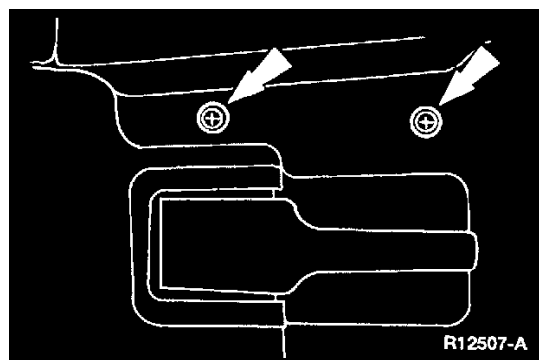
Removal

NOTE: High series shown, low series similar.

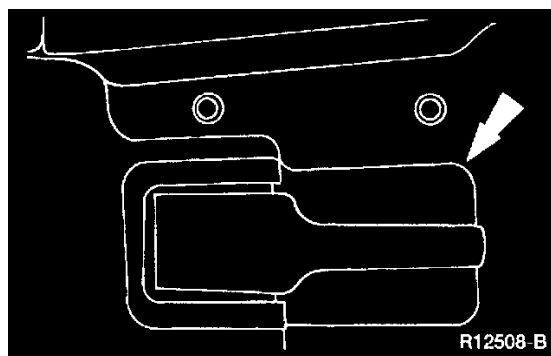
NOTE: The window must be completely down to remove the front door trim panel.



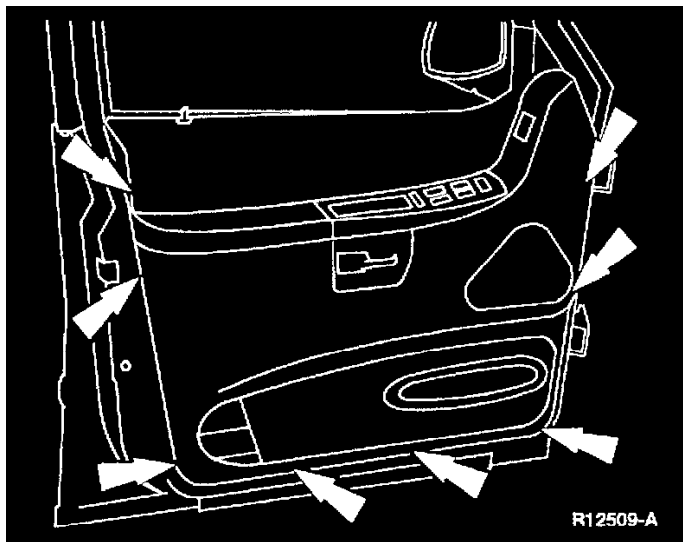
1. On high series front door trim panel, disconnect the battery ground cable.



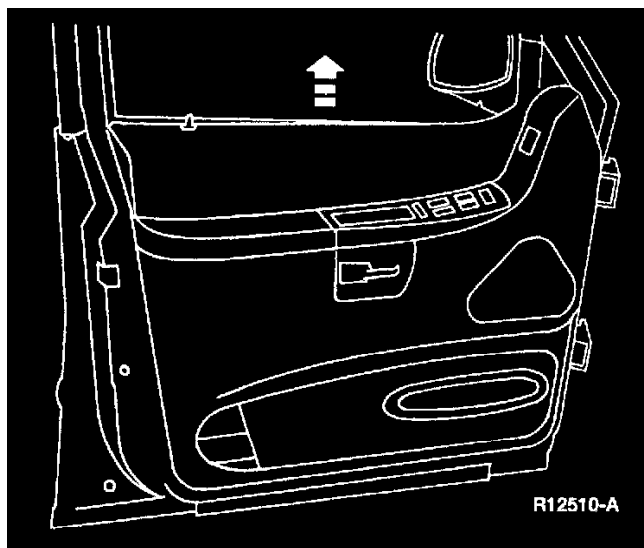
2. Remove the screws.



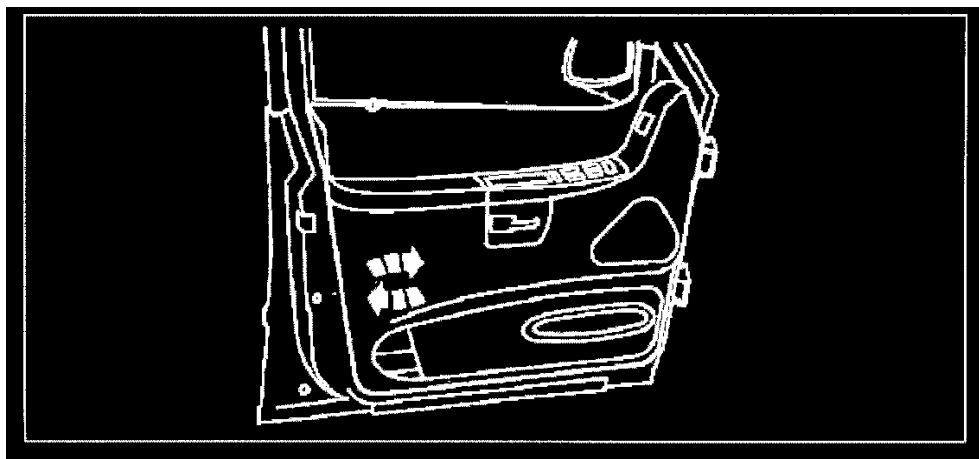
3. Remove the inside door handle cup.
4. On low series front door trim panel, remove the screw and the window regulator handle.



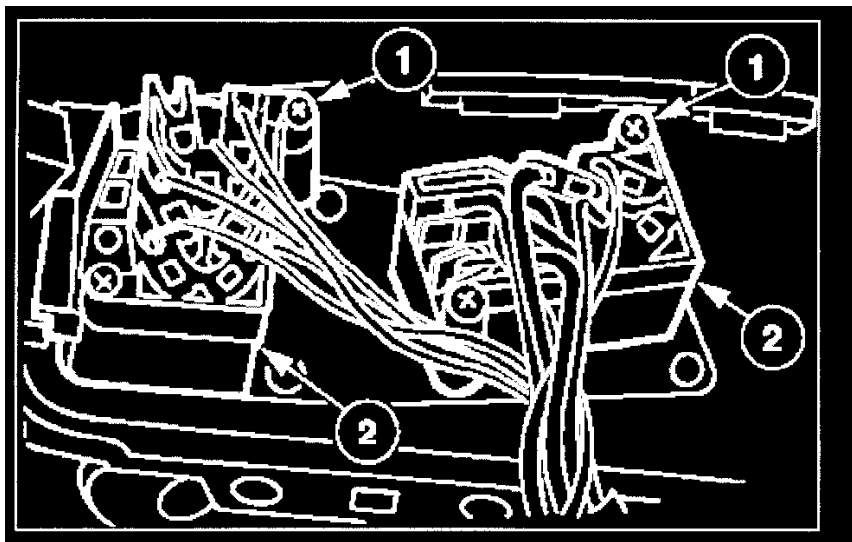
5. Start in a lower corner and work around the panel, carefully prying the front door trim panel away from the front door to disengage the pushpins.



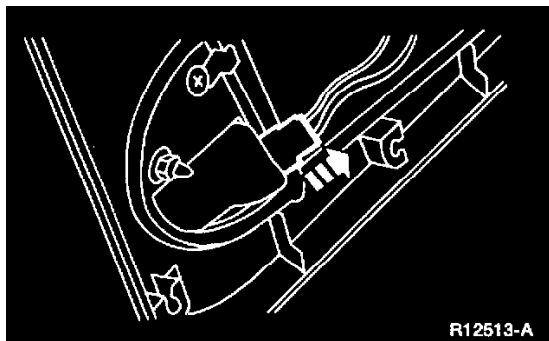
6. Lift the front door trim panel to disengage the top lip from the weatherstrip.



7. Turn the front door trim panel over.

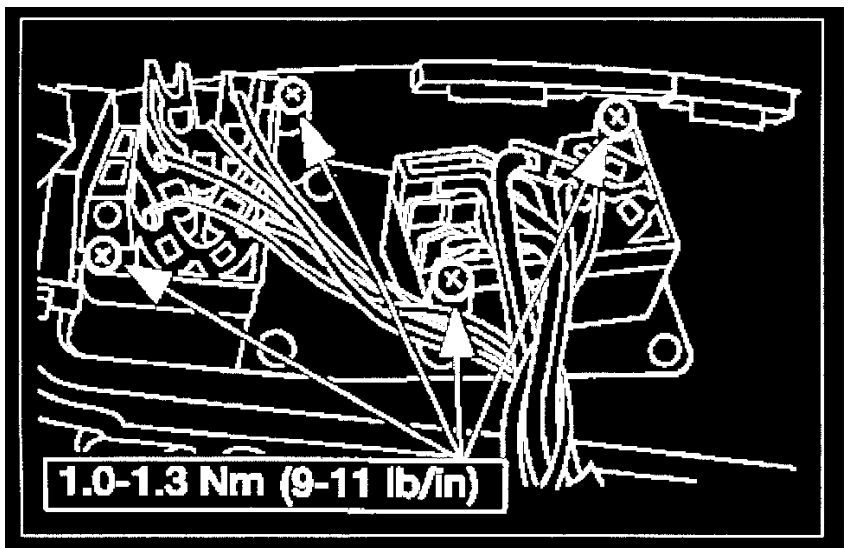


8. Disconnect the power window switch and the power door lock switch electrical connectors.
 - a. Remove the screws.
 - b. Disconnect the electrical connectors.



9. If equipped, remove the courtesy lamp bulb from the lens and remove the front door trim panel.

Installation



1. **NOTE:** When the battery is disconnected and reconnected, some abnormal drive symptoms may occur while the vehicle relearns its adaptive strategy. The vehicle may need to be driven **16 km (10 mi)** or more to relearn the strategy.

To install, reverse the removal procedure.