

2006 ACCORD - Center Console Removal/Installation

Special Tools Required

- KTC trim tool set SOJATP2014*

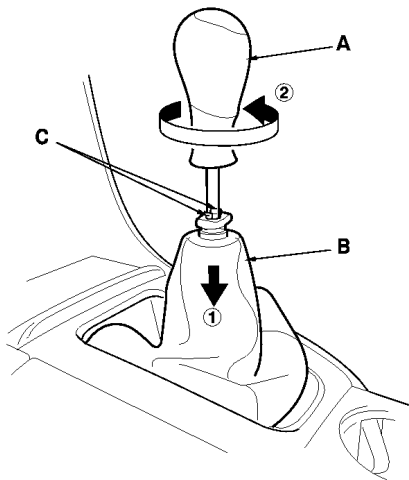
*Available through the American Honda Tool and Equipment Program; call 888-424-6857

NOTE:

- Take care not to scratch the front seat, dashboard, and related parts.
- Use the appropriate tool from the KTC trim tool set to avoid damage when prying components.

1. M/T model: Remove the shift knob (A).

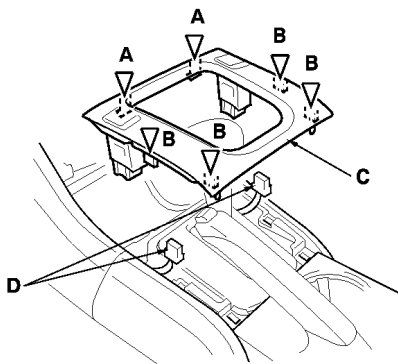
-1 Lower the shift lever boot (B) to release the hooks (C) from the knob.



2. Detach the clips (A, B) by pulling the center console front panel (C) up. If equipped, disconnect the seat heater switch connectors (D).

Fastener Locations

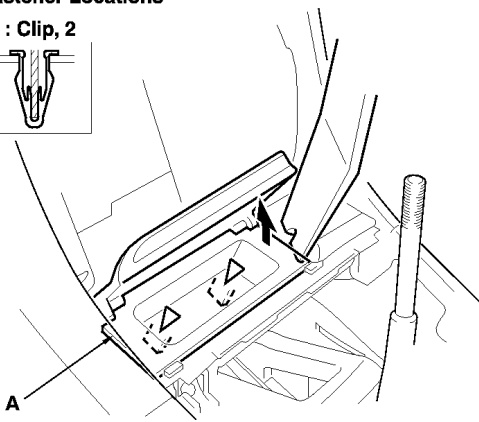
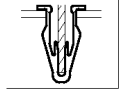
A▷: Clip, 2 B▷: Clip, 4



3. Pry up on the right of the console pocket (A) with a trim tool, and detach the clips, then remove the pocket.

Fastener Locations

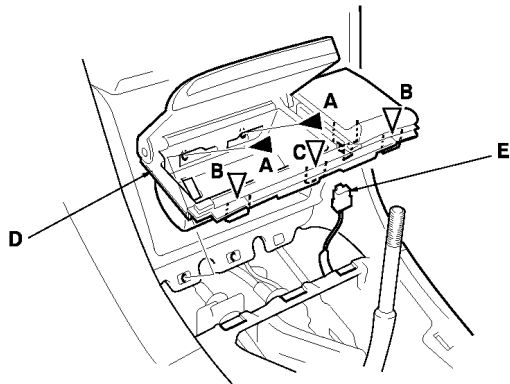
▷ : Clip, 2



4. Remove the screws (A), detach the clips (B) and hook (C) by pulling the center holder (D) up, and disconnect the front accessory power socket connector (E).

Fastener Locations

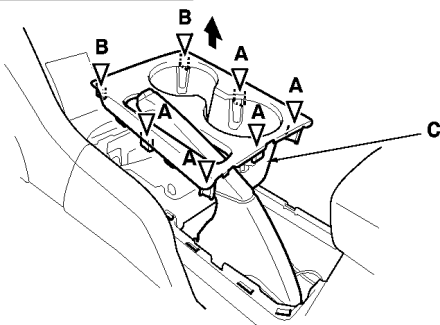
A ▶ : Screw, 2 B ▷ : Clip, 2 C ▷ : Hook, 1



5. Detach the clips (A, B) by pulling the center console rear panel (C) up.

Fastener Locations

A ▷ : Clip, 5 B ▷ : Clip, 2



6. Remove the center console (A).
 - 1 Open the console box lid (B) then remove the console mat (C).
 - 2 If equipped, disconnect the rear accessory power socket connector (D), and detach the clip (E).
 - 3 Remove the screws (F, G), then pull the rear portion of the console up to release the hooks (H), then remove

it.

7. Install the console in the reverse order of removal, and check if the clip is damaged or stress-whitened, and if necessary, replace it with new one.

Fastener Locations

F ▶ : Screw, 4 G ▶ : Screw, 2

