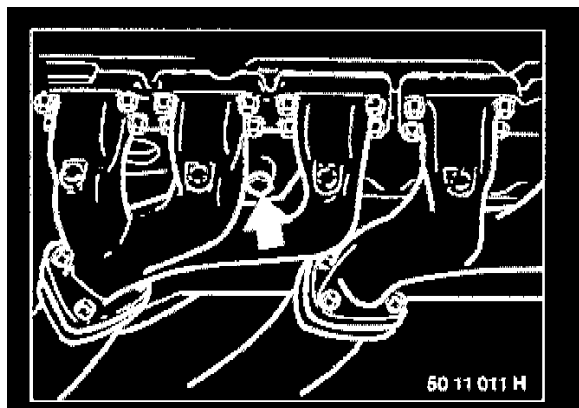


Water Pump: Service and Repair

Removing and installing complete water pump (M52 / S52 /M52TU/ M54 / M56)

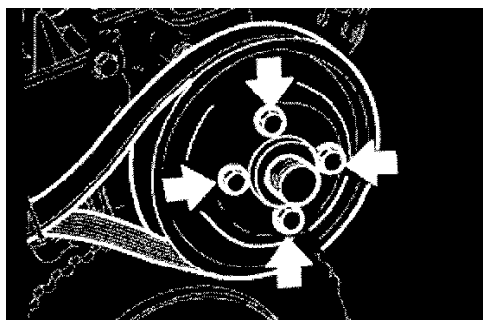
Remove alternator drive belt, refer to **Engine, Cooling and Exhaust - Engine - Drive Belts, Mounts, Brackets and Accessories - Drive Belt - Service and Repair - Procedures** See: Engine/Drive Belts, Mounts, Brackets and Accessories/Drive Belt/Service and Repair



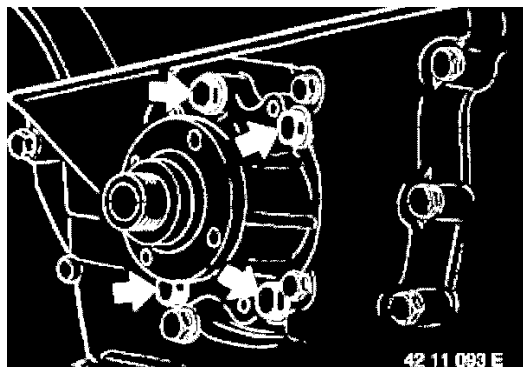
Note: M52/S52 The water drain plug is located on the exhaust side between cylinders 4 and 5 in the engine block (illustration).
M52TU / M54 / M56 The water drain plug is located on the exhaust side on cylinder 2 in the engine block.

Drain and dispose of coolant.

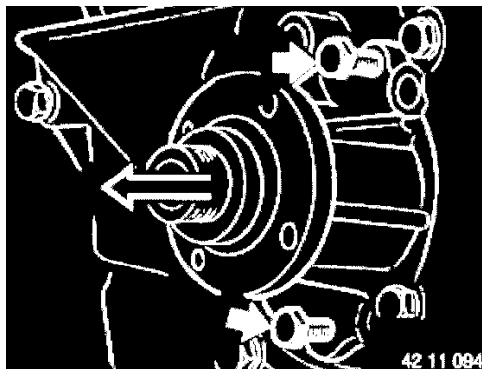
Installation:
Replace seal.
Tightening Torque, refer to **Specifications - Mechanical**. See: Specifications
Vent cooling system and check for leaks, refer to **Engine, Cooling and Exhaust - Cooling System - Service and Repair - Procedures**. See: Service and Repair



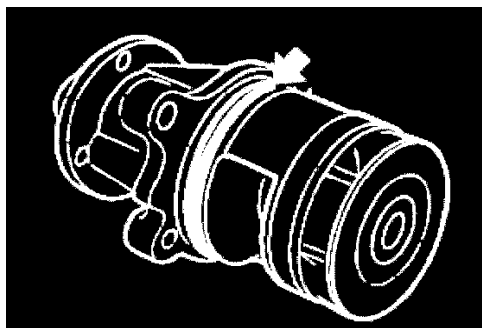
Release belt pulley.



Release water pump.



Tighten two screws (M6) into thread of water pump and water pump out of timing case.



Installation:
Replace O-ring and coat with coolant as anti-friction agent.