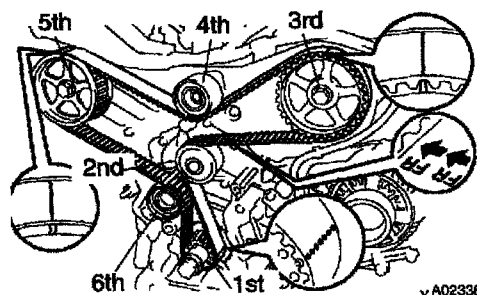


Timing Component Alignment Marks: Locations



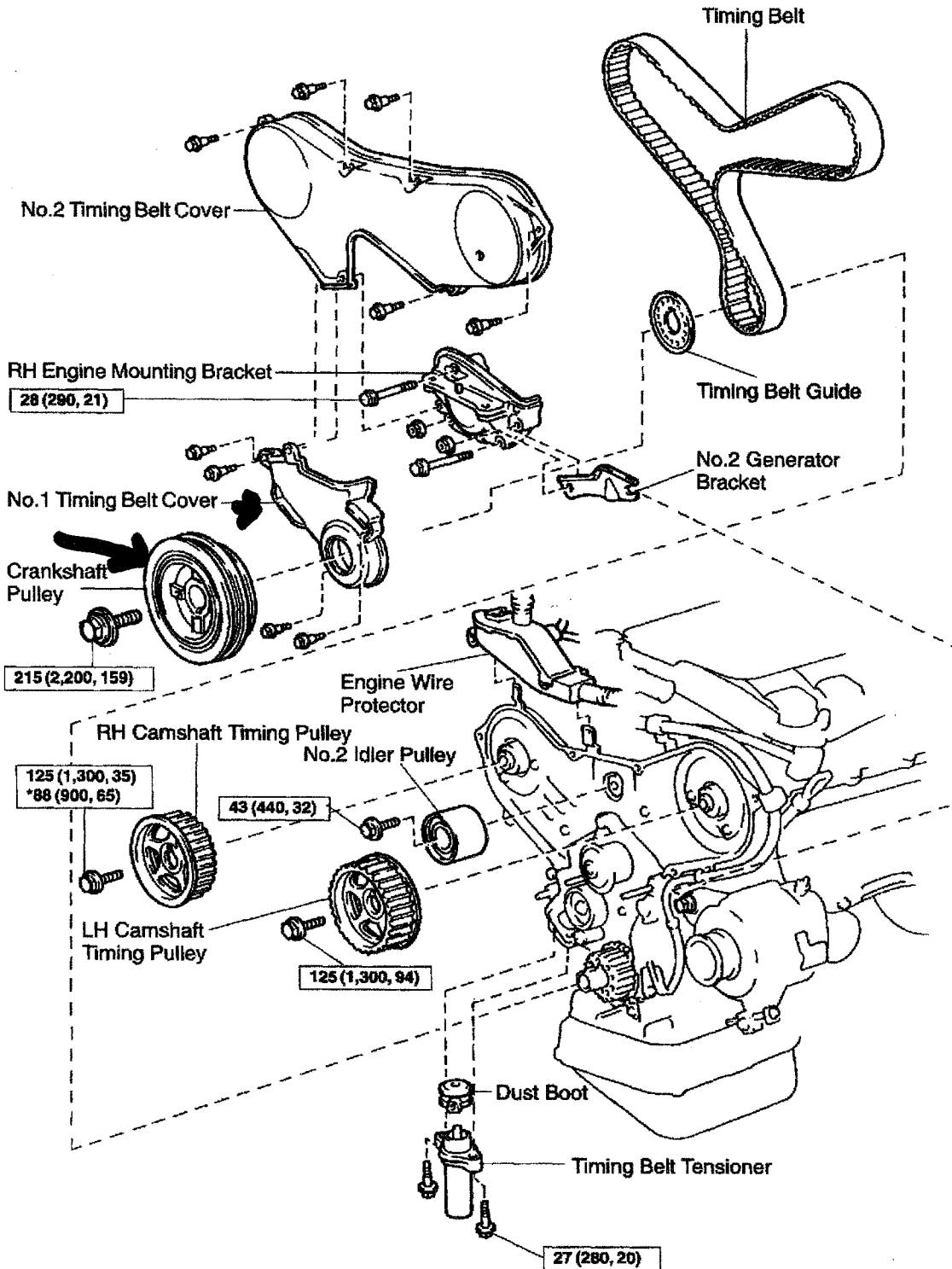
Install the timing belt in this order:

- 1st: Crankshaft timing pulley
- 2nd: Water pump pulley
- 3rd: LH camshaft timing pulley
- 4th: NO. 2 idler pulley
- 5th: RH camshaft timing pulley
- 6th: NO. 1 idler pulley

CAUTION: Incorrect removal or installation of the timing belt can result in damage to internal engine components.

For complete Timing Belt Removal and Installation information, please refer to Timing Belt; Service and Repair. See: Timing Belt/Service and Repair

LINE UP }



N·m (kgf·cm, ft·lbf) : Specified torque

◆ Non-reusable part

* For use with SST