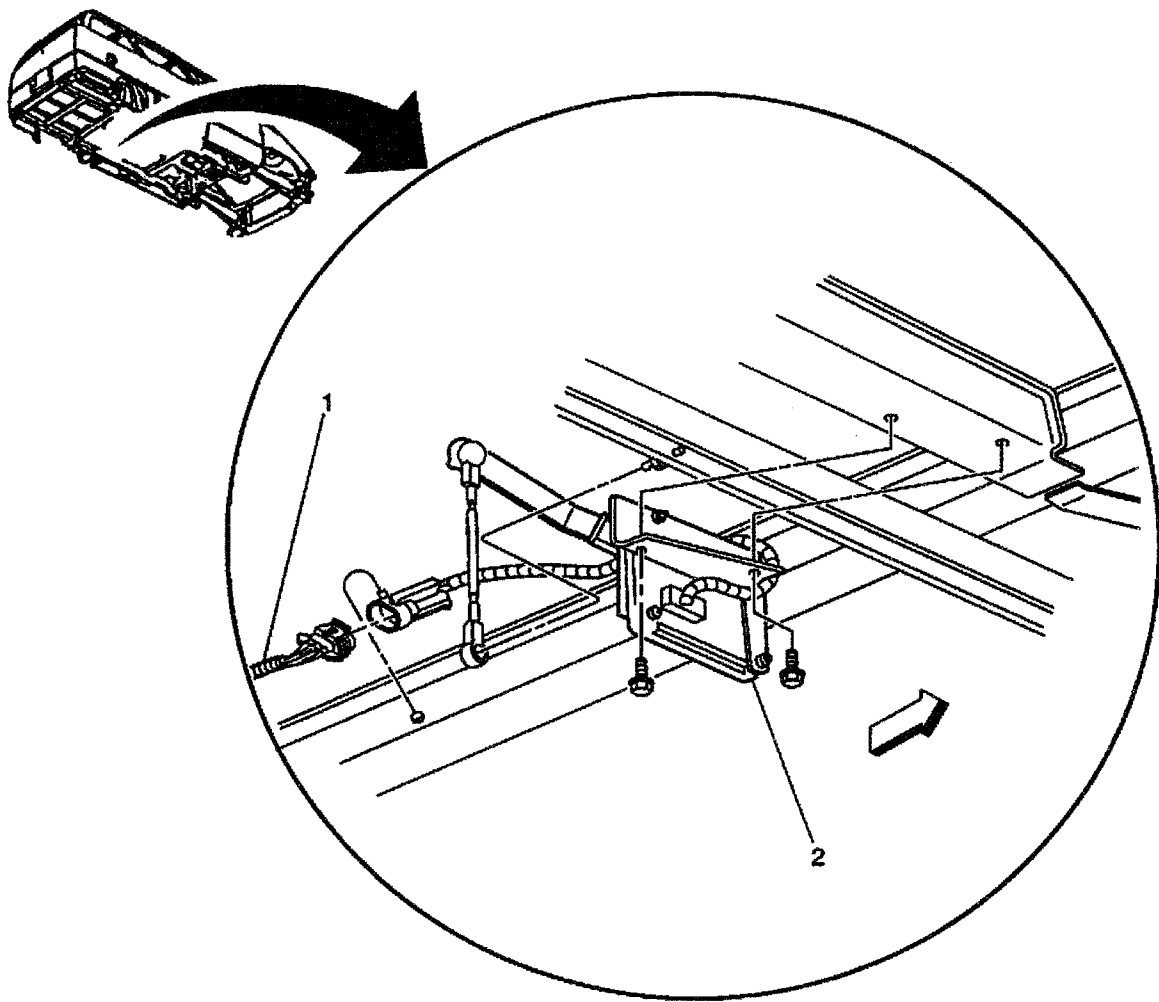
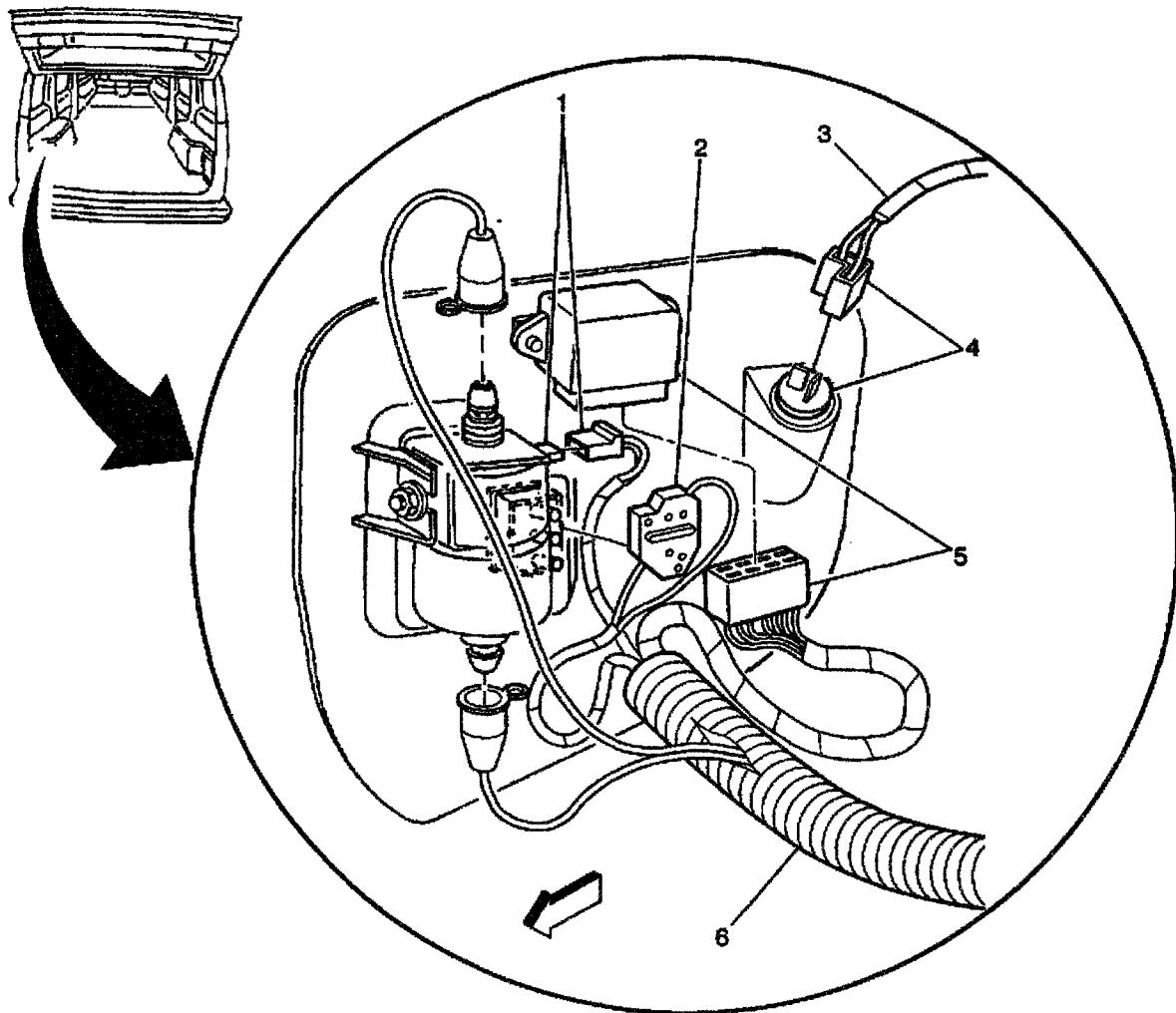


Suspension Control (Automatic - Electronic Level): Locations



Legend

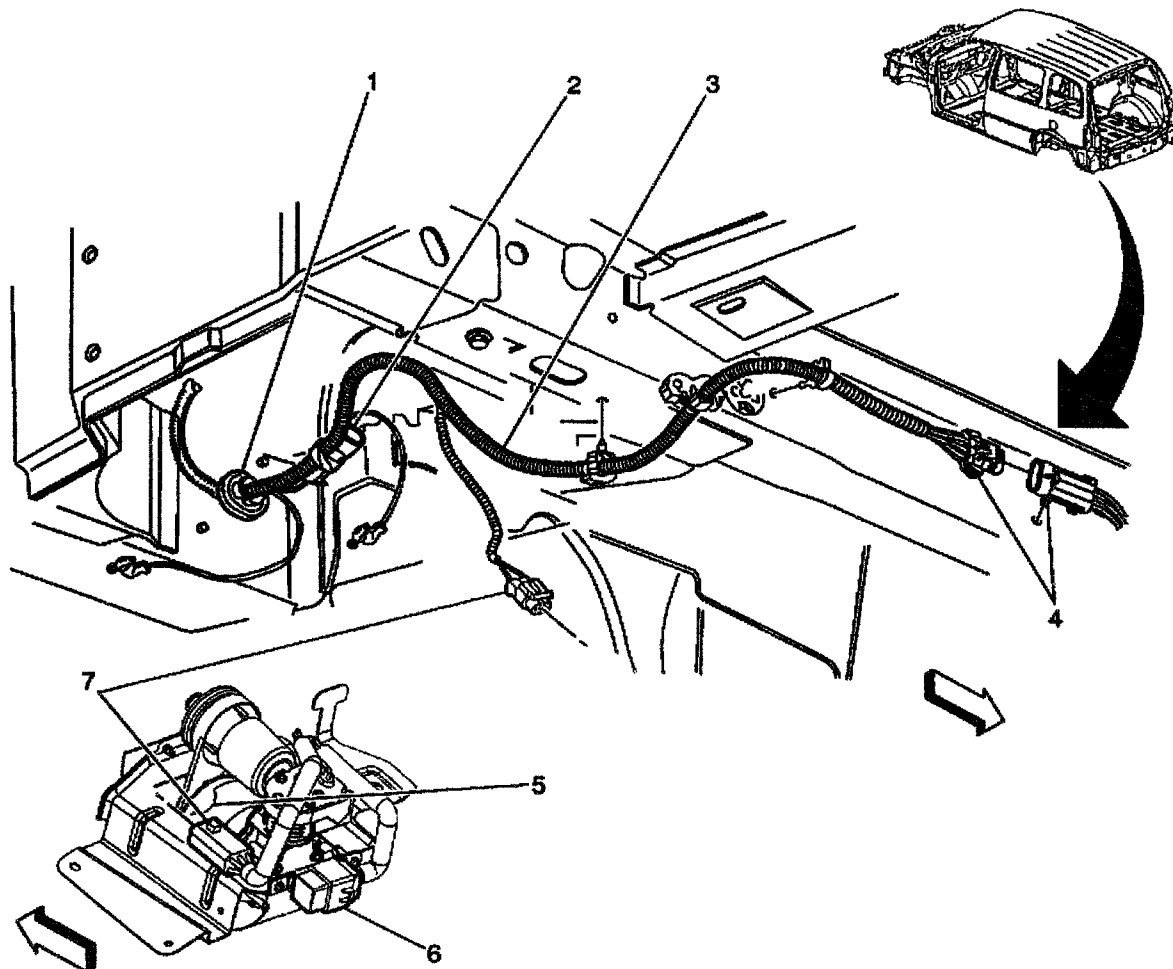
- (1) Auto Level Control (ALC) Harness
- (2) Auto Level Control (ALC) Sensor

**Legend**

- (1) Auto Level Control (ALC) Inflator Solenoid Valve
- (2) Inflator Air Switch
- (3) Body Harness

- (4) Rear Electric Accessory Plug Housing
- (5) Auto Level Control (ALC) Inflator Relay
- (6) Auto Level Control Harness

Behind Rear Left Wheelhouse

**Legend**

- | | |
|---|---|
| (1) Pass Through P403 | (5) Auto Level Control (ALC) Air Compressor |
| (2) In-line connector C407 | (6) Auto Level Control (ALC) Compressor Relay |
| (3) Auto Level Control Harness | (7) Auto Level Control (ALC) Connector |
| (4) Auto Level Control (ALC) Sensor Connector | |

Below Vehicle, Rear Of LR Wheelhouse